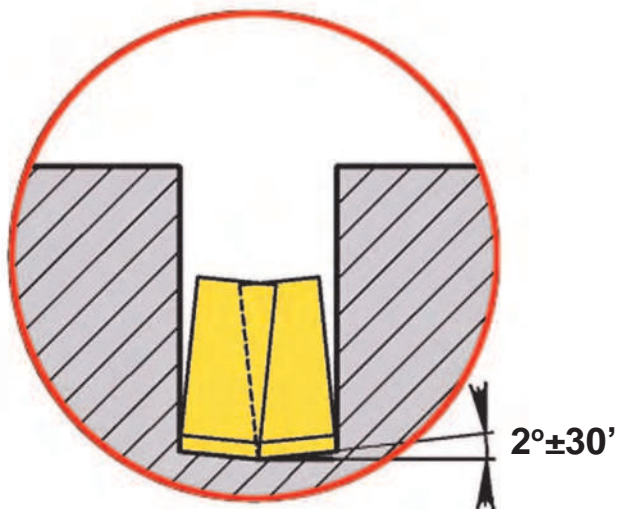
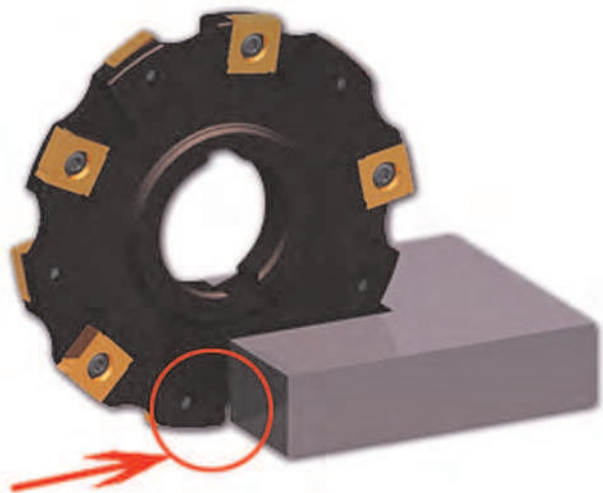
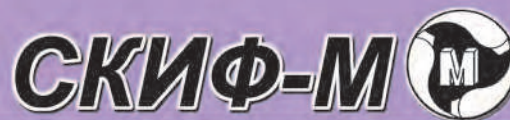


MT389



| | Марка твердого сплава | | | | | | | | | | | Основные размеры | | | | | |
|--------------|-----------------------|-------|-------|-------|---|--|--|---|--|-------|---|------------------|------|------|------|-----|----|
| | P | | M | | K | | | N | | S | | H | | ic | l | S | d1 |
| | HCP35U | HWP40 | HWP40 | HWS30 | | | | | | HWS30 | | | MM | | | | |
| | ● | ● | ○ | ○ | | | | | | | ● | | | | | | |
| SNEX11T1ZZ-M | ● | ● | ○ | | | | | | | | | | 11,0 | 11,0 | 2,30 | 3,7 | |
| SNEX1102ZZ-M | ● | ● | ○ | | | | | | | | | | 11,0 | 11,0 | 2,70 | 3,7 | |
| SNEX1203ZZ | ● | ● | ○ | | | | | | | | | | 12,7 | 12,7 | 3,18 | 5,0 | |
| SNEX1203ZZ-T | | | | ● | | | | | | ● | | | 12,7 | 12,7 | 3,18 | 5,0 | |
| SNEX1203ZZ-M | ● | ● | ○ | | | | | | | | | | 12,7 | 12,7 | 3,18 | 5,0 | |
| SNEX1204ZZ | ● | ● | ○ | | | | | | | | | | 12,7 | 12,7 | 4,50 | 5,0 | |
| SNEX1204ZZ-T | | | | ● | | | | | | ● | | | 12,7 | 12,7 | 4,50 | 5,0 | |
| SNEX1204ZZ-M | ● | ● | ○ | | | | | | | | | | 12,7 | 12,7 | 4,50 | 5,0 | |
| SNEX1205ZZ | ● | ● | ○ | | | | | | | | | | 12,7 | 12,7 | 5,40 | 5,0 | |
| SNEX1205ZZ-T | | | | ● | | | | | | ● | | | 12,7 | 12,7 | 5,40 | 5,0 | |
| SNEX1205ZZ-M | ● | ● | ○ | | | | | | | | | | 12,7 | 12,7 | 5,40 | 5,0 | |